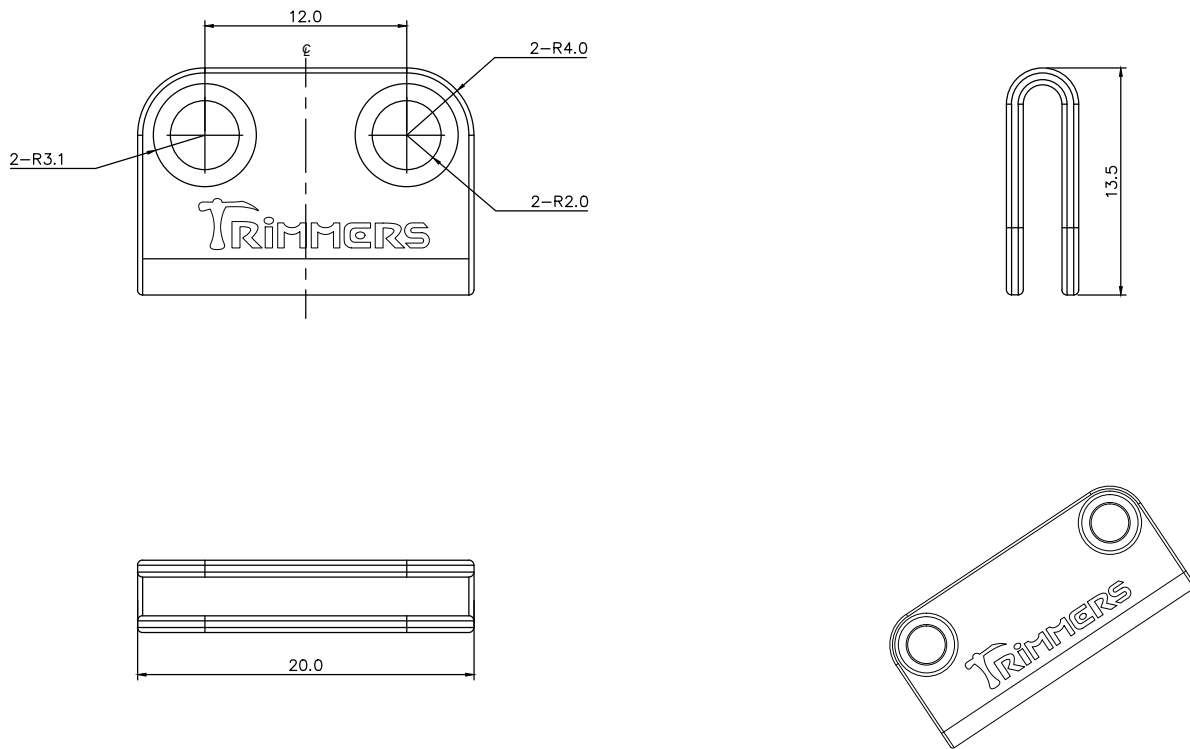
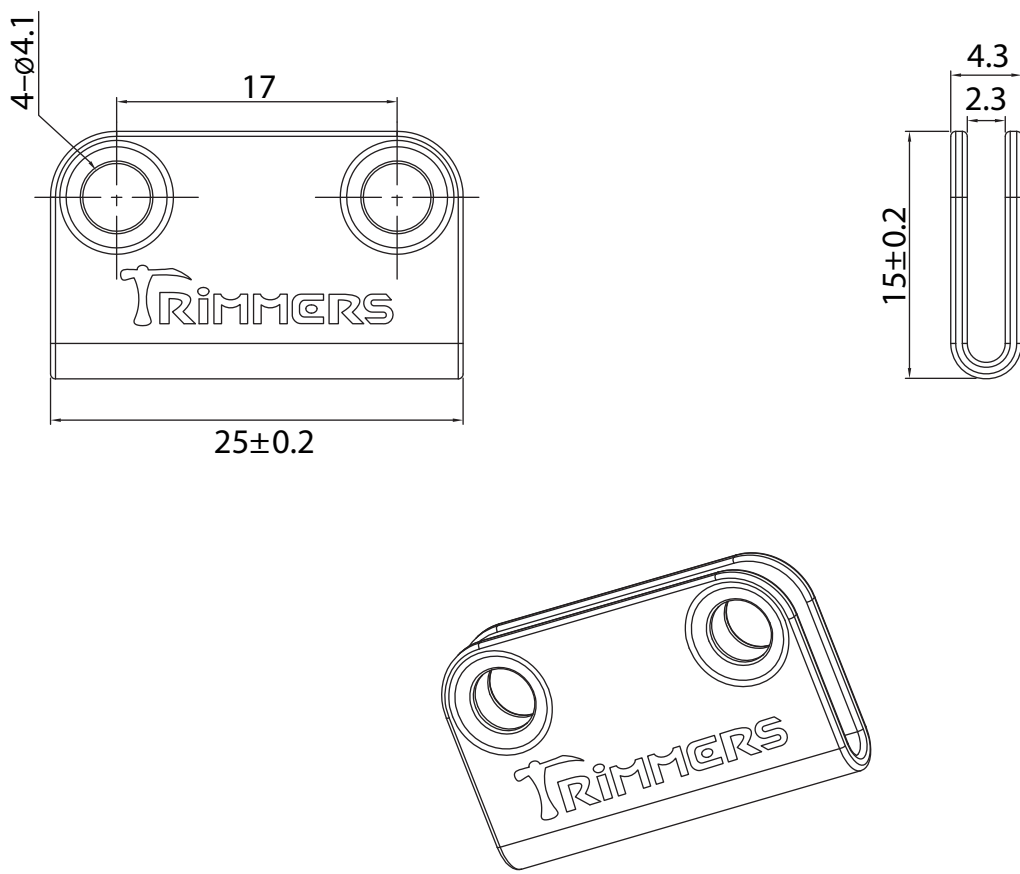


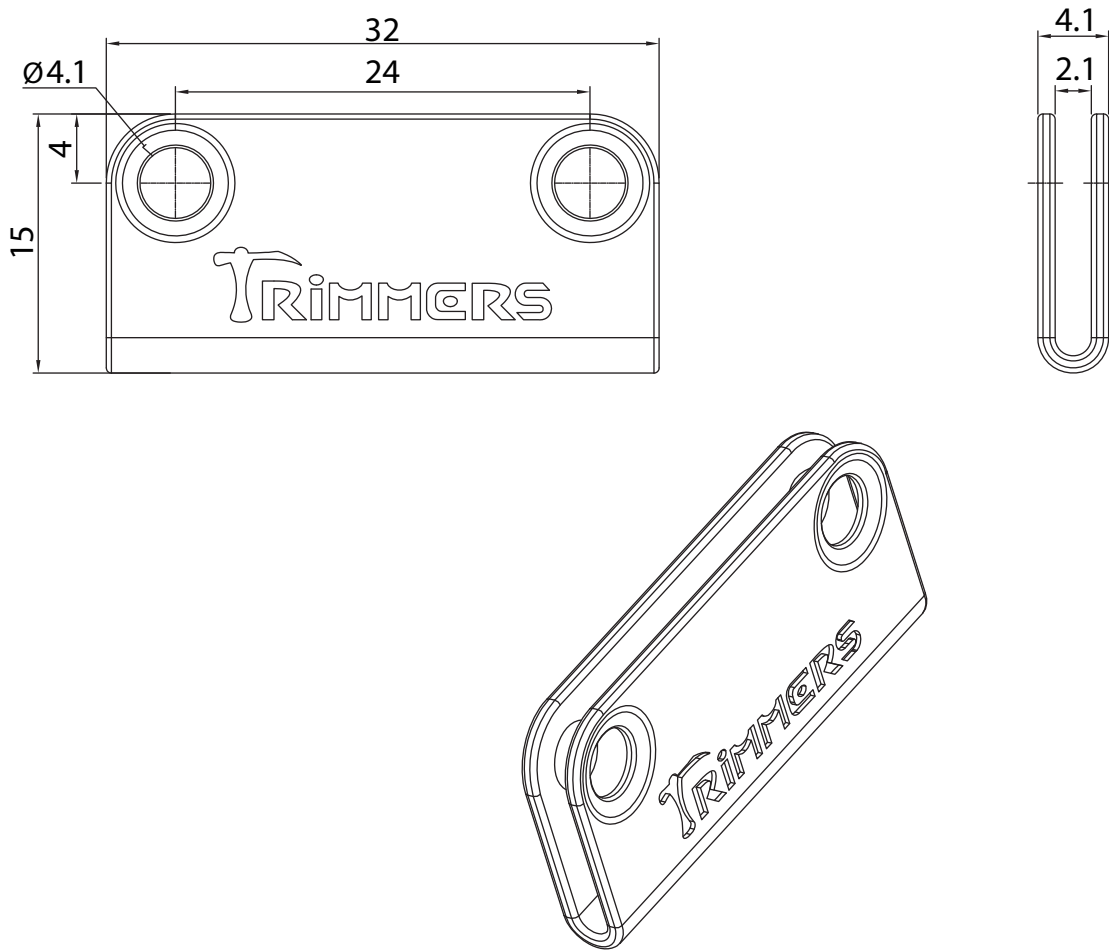
Metal end Tap_OR092_20mm



Metal end Tap_OR092_25mm



Metal end Tap_OR092_32mm



Metal end Tap_OR092_38mm

